



Visit: www.huddlefurniture.co.uk

Helpline 01844 299344



Before Assembly,
Please Read this Leaflet

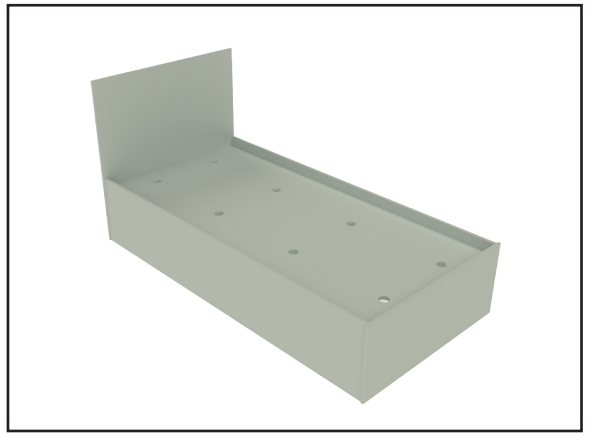
Range: Budget Bed

Style: Student

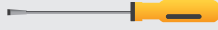


2 Person Assembly

Assembly Instructions



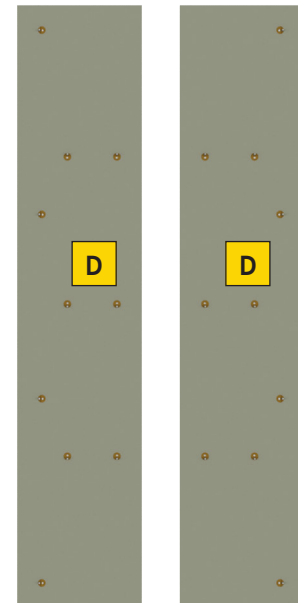
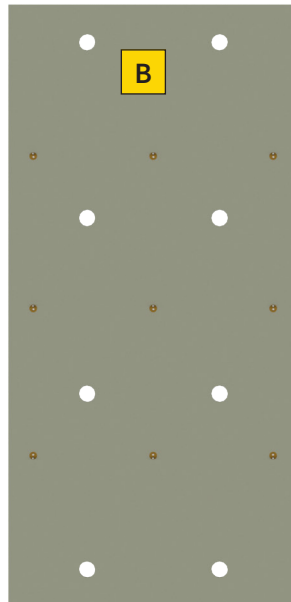
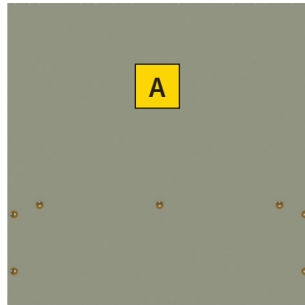
Tools Required

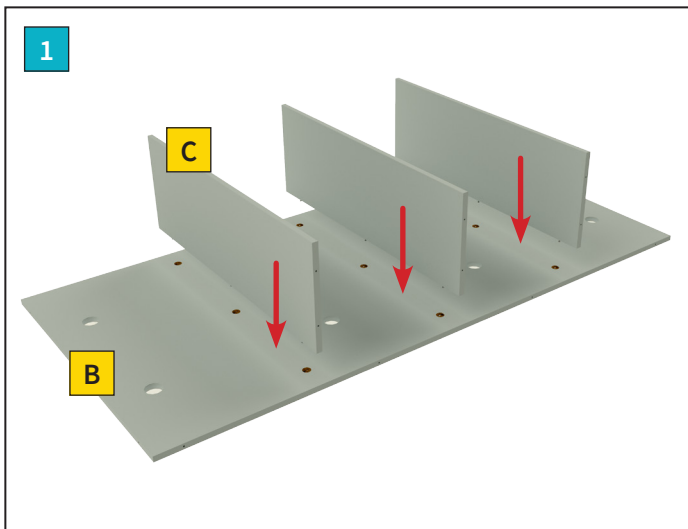


Pozi / Phillips
Screwdriver

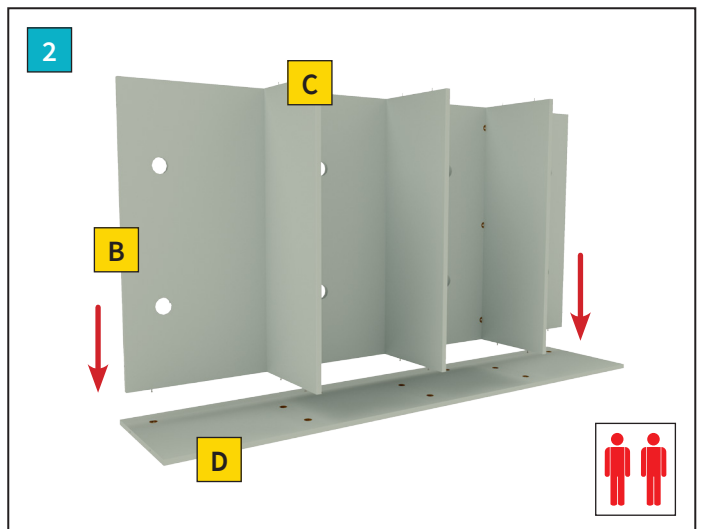
Components

A	Headboard	x1
B	Base Board	x1
C	Supports	x3
D	Side Panel	x1
E	Footboard	x1

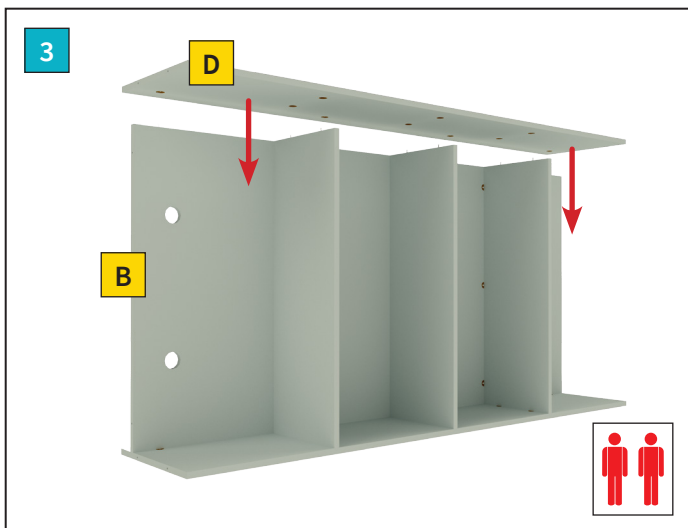




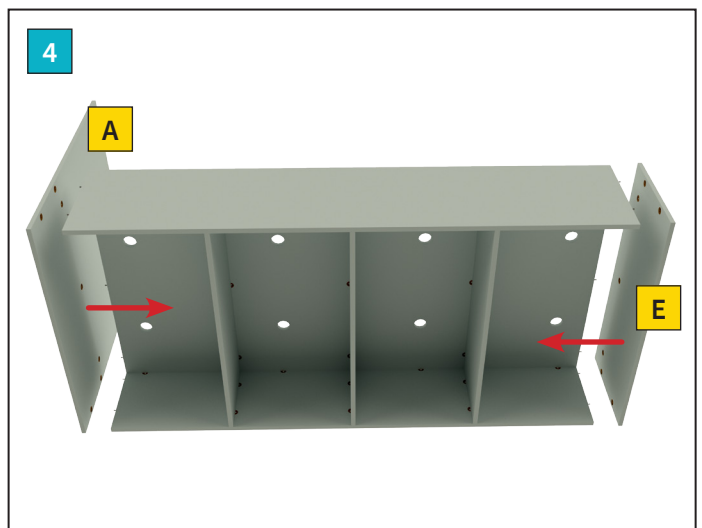
1. Place the Bed Base [B] on a flat surface with the holes exposed. Attach the Supports [C] into the corresponding holes and tighten with a screwdriver.



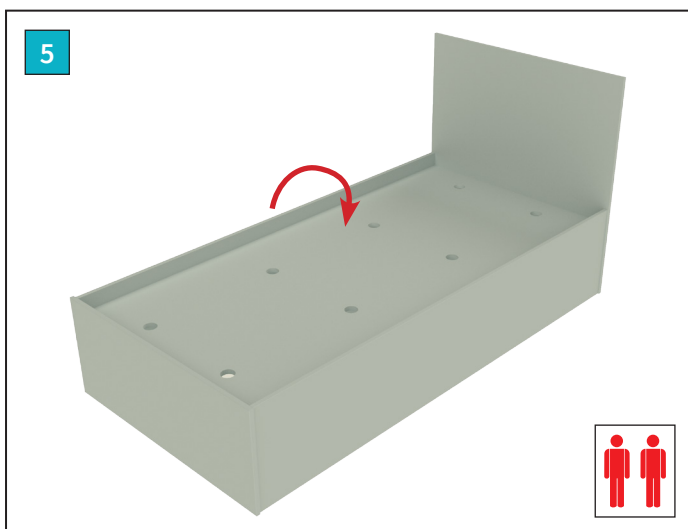
2. Lay one of the Side Panels [D] down. With assistance, lift and place the Bed Base [B] into position on the Side Panel and tighten.



3. With assistance, place the remaining Side Panel [D] into position on the Bed Base [B] & Supports [C]. Tighten with screwdriver.



4. Place the Headboard [A] and Footboard [E] into position at the ends of the Side Panels [D] and tighten whilst on its side.



5. With assistance, carefully turn the assembled bed upright and lay gently on a flat surface.